

the Sage® Precision Brewer™



SDC400



SDC450

EN QUICK GUIDE

DE KURZANLEITUNG

Sage®



Contents

- 2 Sage® recommends safety first
- 6 Components
- 8 Operation
- 13 Care & Cleaning
- 14 Troubleshooting

SAGE® RECOMMENDS SAFETY FIRST

At Sage® we are very safety conscious. We design and manufacture consumer products with the safety of you, our valued customer, foremost in mind. In addition we ask that you exercise a degree of care when using any electrical appliance and adhere to the following precautions.

IMPORTANT SAFEGUARDS

READ ALL INSTRUCTIONS BEFORE USE AND SAVE FOR FUTURE REFERENCE

- The full information book is available at sageappliances.com
- Before using for the first time please ensure that your electricity supply is the same as shown on the rating label on the underside of the appliance. If you have any concerns please contact your local electricity company.
- Remove and safely discard any packaging materials before first use.
- To eliminate a choking hazard for young children, safely discard the protective cover fitted to the power plug.
- Always ensure the appliance is properly assembled before use. Follow the instructions provided in this book.
- Keep the appliance clean. Follow the cleaning instructions provided in this book.
- Ensure the supplied mesh basket filter or a paper filter (8-12 cup, flat base basket style with ~ 3¼" / 8.25cm base) is placed in the coffee basket before using the appliance.
- Do not use the mesh basket filter in conjunction with a paper filter.

- Before starting a brew cycle:
 - Check that the carafe drip stop moves up and down freely.
 - Completely empty the carafe and securely lock the carafe lid in place.
 - Insert and seat the carafe under the drip stop.
 - Ensure the filter basket is empty and properly fit in place.
- During a brew cycle:
 - Do not remove the carafe or remove the filter basket while the unit is in a brew cycle. Failure to follow the above may lead to scalding or serious injury.
- Some surfaces may be hot, use caution when touching or lifting the unit or accessories.
- Use only carafe handle when lifting the carafe.
- The carafe is designed for use with this appliance only. It must never be used on a range top or in a microwave.
- Scalding may occur if the carafe lid or basket is removed during the brewing cycle.
- Always ensure the carafe lid is securely locked in place onto the carafe before pouring.
- Do not use the carafe with a cracked, loose, weakened or damaged handle.
- Do not use the filter basket with a cracked, loose, weakened or damaged handle.
- Do not touch hot surfaces. Use the handle for lifting and carrying the carafe.
- Always wait until the machine has cooled before removing the brew basket.
- Do not set a hot carafe on a wet, cold or heat sensitive surface.
- Always turn the appliance to the off position, switch off at the power outlet and unplug at the power outlet when the appliance is not in use.
- Do not use harsh or abrasive materials when cleaning any part of this appliance such as steel wool or scoring pads.
- The use of attachments not sold or recommended by Sage® may cause fire, electric shock or injuries.
- Always ensure the appliance is turned OFF, unplugged at the power outlet and has been allowed to cool before cleaning, attempting to move or storing.
- Proper installation of filter basket, showerhead seal, and showerhead locking ring is required to reduce the risk of splashing of hot water.



CAUTION

- Risk of injury. Proper installation / removal of basket is required to reduce the risk of splashing of hot water.

IMPORTANT SAFEGUARDS FOR ALL ELECTRICAL APPLIANCES

- The appliance can be used by children aged 8 or older and persons with reduced physical, sensory or mental capabilities or a lack of experience and knowledge, only if they have been given supervision or instruction concerning use of the appliance in a safe way and understand the hazards involved.
- Children should not play with the appliance.
- Cleaning of the appliance should not be carried out by children unless they are 8 year or older and supervised.
- Any maintenance other than cleaning should be performed by an authorised Sage® service centre.
- The appliance and it's cord should be kept out of reach of children aged 8 years and younger.
- Do not use the appliance if the power cord, power plug, or appliance becomes damaged in any way. If damaged or maintenance other than cleaning is required, please contact Sage Customer Service or go to sageappliances.com

- Fully unwind the power cord before operating.
- Do not let the cord hang over the edge of a bench or table, touch hot surfaces, or become knotted.
- Do not leave the appliance unattended when in use.
- This appliance is for household use only. Do not use the appliance for anything other than its intended use. Do not use in moving vehicles or boats. Do not use outdoors. Misuse may cause injury.
- It is recommended to regularly inspect the appliance.



CAUTION

We recommend using cold, filtered water. We do not recommend the use of de-mineralised or distilled water as this may affect the taste of brewed coffee.

SHORT CORD INSTRUCTIONS

Your Sage® appliance is fitted with a short power cord to reduce the risk of personal injury or property damage resulting from pulling, tripping or becoming entangled with a longer cord. Longer detachable power cords or extension cords are available and may be used if care is exercised.

If an extension cord is used,

- (1) the marked electrical rating of the cord set or extension cord should be at least as great as the electrical rating of the appliance,
 - (2) the cord should be arranged so that it will not drape over the counter-top or table where it can be pulled on by children or tripped over unintentionally and
 - (3) the extension cord must include a 3-prong grounding plug.
- The installation of a residual current safety switch is recommended to provide additional safety when using all electrical appliances. Safety switches with a rated operating current not more than 30mA are recommended. Consult an electrician for professional advice.

NOTE

This appliance has a three wire grounded plug. To reduce the risk of electric shock, this plug will fit in a polarised outlet only one way. If the plug does not fit properly into the outlet, contact a qualified electrician.

Do not use an adaptor or modify the plug in any way. Do not connect the appliance to an external switch or device (such as a timer, monitor or remote circuit) that can be switched on and off.



The symbol shown indicates that this appliance should not be disposed of in normal household waste. It should be taken to a local authority waste collection centre designated for this purpose or to a dealer providing this service. For more information, please contact your local council office.

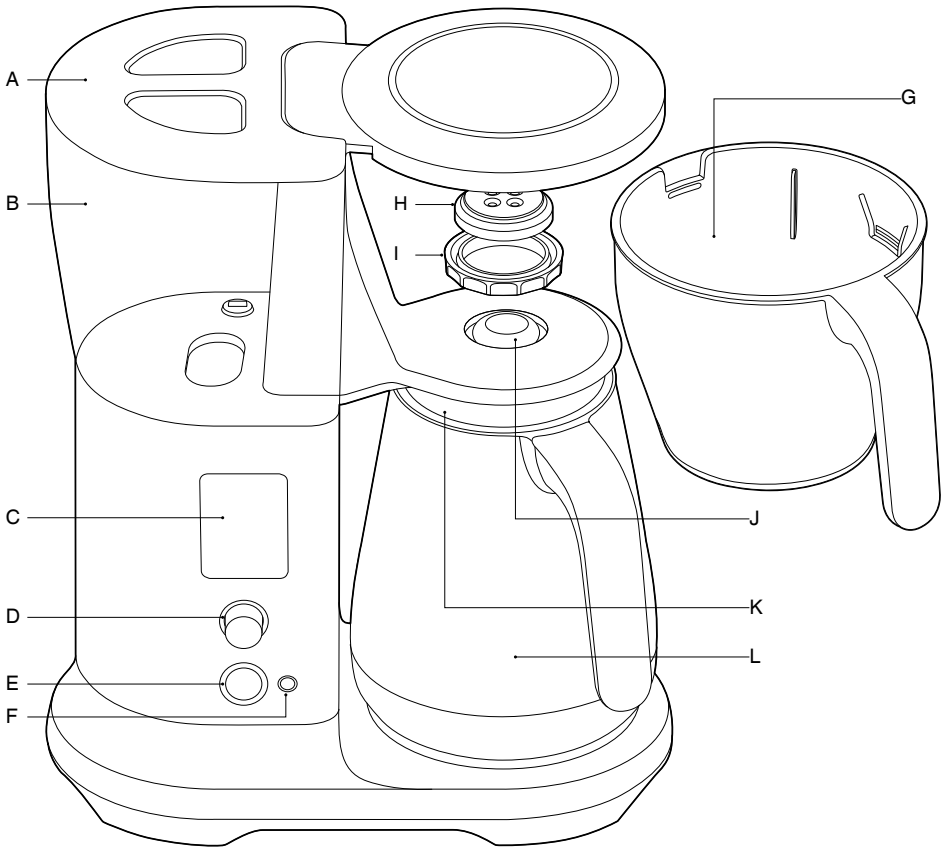


To protect against fire, electric shock, and injury to persons, do not immerse cord, plug or appliance in water or any other liquid.

FOR HOUSEHOLD USE ONLY SAVE THESE INSTRUCTIONS



Components



A. Tank lid

B. Water tank

C. LCD display

D. SELECT dial

E. START / CANCEL button

F. AUTO START button

G. Brew basket

H. Showerhead

I. Showerhead ring

J. Drip stop lever

K. Carafe lid

L. Carafe



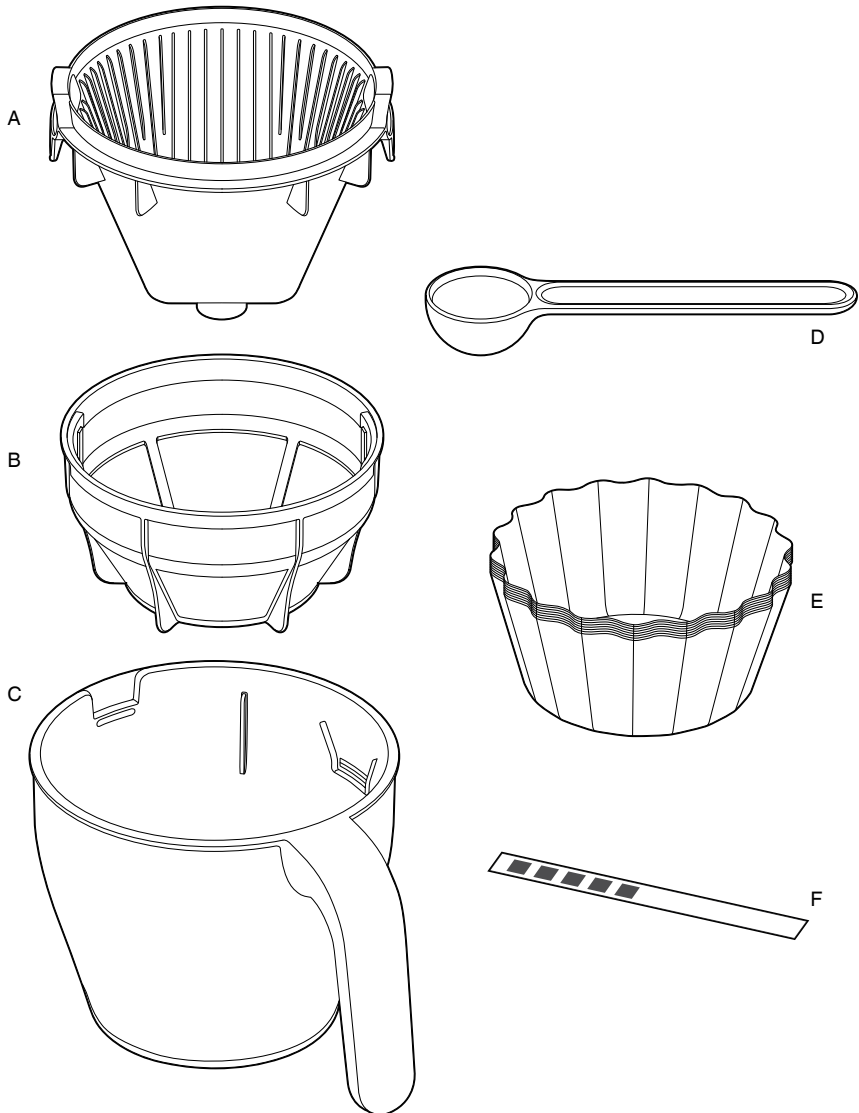
Rating Information SDC400

220-240V ~50-60Hz 1550-1850W



Rating Information SDC450

220-240V ~50-60Hz 1550-1760W



ACCESSORIES

A. Cone filter basket insert

B. Mesh basket filter

C. Brew basket

D. Sage® coffee measuring scoop

E. Flat bottom basket filter paper pack
(10 pieces)

F. Water hardness test strip
(see page 8 for directions)



Operation

WATER HARDNESS SETTING & FLUSHING

1. Ensure that the empty coffee basket and empty carafe (with assembled lid) are inserted into the machine.
2. Fill the water tank with fresh cold water to the MAX mark on the water tank. Plug into power outlet.
3. When first turned on, the machine will show 'SEt HArdnESS' on LCD, asking you water hardness level. Press SELECT dial once. Dip the water hardness test strip into the filled water tank for 1 second, remove and wait for 1 minute to reveal the result. Rotate SELECT dial and press the dial to select the level according to the number of dots shown on the strip. To reset water hardness, please refer to FACTORY RESET on page 14.



4. The machine will show 'FLUSH Unit' on LCD. Press SELECT dial once. The machine will dispense all the water from the tank, through the system and into the empty carafe. After flushing, empty the basket and carafe.

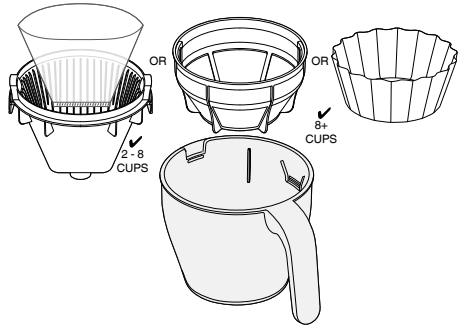


NOTE

We recommend to flush once more in Fast mode.

BREWING A CARAFE

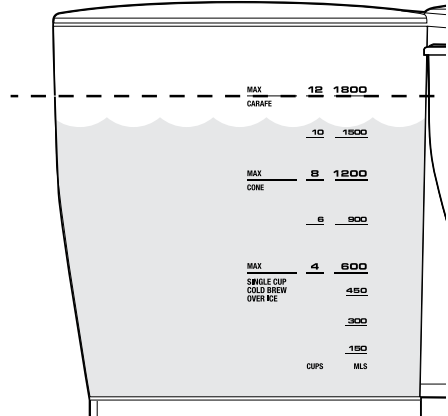
1. Select the correct basket & filter for the amount of coffee you're making.



CAUTION

Filling the basket without a mesh basket filter or filter paper may cause the basket to overflow during the brewing cycle.

2. The LCD will display the basket setting – "Basket" or "Cone". To change the basket type, rotate the SELECT dial to Settings and press the dial. Rotate the SELECT dial to the basket type, press the SELECT dial to set.
3. Fill the water tank with fresh cold water up to the MAX marking on the water tank.



NOTE

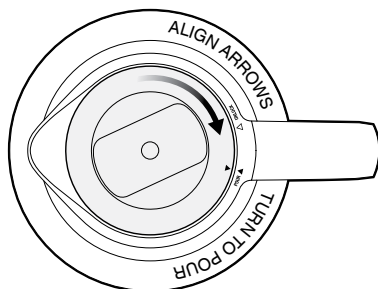
This machine will brew all the water in the tank. Ensure the tank does not contain an excess amount of water.

- Grind enough coffee beans for the volume you're making. For a full 12 cup carafe, we recommend (108g) of coffee, approximately 13 level Sage® measuring scoops. Roughly 1 scoop for every 150ml.
- Insert the correct filter paper, cone or flat bottom, or mesh basket, into the brew basket, then, add your ground coffee. Insert the brew basket into the machine.

NOTE

Never use both mesh basket filter and paper filter at the same time.

- Lock the carafe lid and place the carafe under the drip stop outlet.



CAUTION

The carafe **MUST** be in place before you brew with water level higher than 'SINGLE CUP' line. Otherwise the coffee basket will overflow.

NOTE

Always ensure your carafe is **EMPTY** before brewing to prevent overflow.

NOTE

For the very best tasting coffee we recommend using a brew ratio of 60g of coffee per 1.0 litre of water.

- Rotate the SELECT dial to the desired mode. Press the START / CANCEL button.
- When your coffee is ready, the machine will beep 3 times.



NOTE

Never fill the water tank once the coffee machine has started a brewing cycle.

BREW MODES

- FAST:** This mode is to deliver the fastest brewed coffee.
- GOLD (recommended):** This mode meets the criteria for an optimum brew and the gold cup standard* requirements of ECBC (European Coffee Brewing Center) using the Cone Filter basket and water volumes of 1.0L & 1.2L together with a brew ratio of 60g of coffee to 1.0L of water.
- STRONG:** This brewing mode delivers a stronger tasting coffee.
- MY BREW:** Allows you to customise every brew setting.
 - Bloom Time:** Coffee bloom occurs when hot water hits the ground coffee. This setting allows you to adjust how long the bloom time lasts. We recommend 30-60 seconds.
 - Brewing Temp:** You can adjust the temperature of the brew water to suit your favourite coffee.
 - Flow Rate:** You can adjust brewing time to control contact time by adjusting the water delivery speed.
 - Pour Over:** If you are using the Pour Over Adapter, this must be turned on. The Adapter is sold separately at www.sageappliances.com

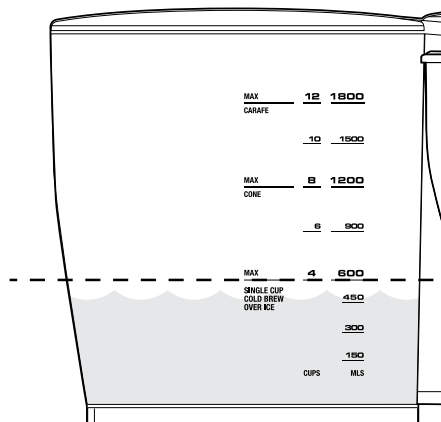
• **OVER ICE:**

1. Fill the tank ensuring the water level does not exceed the 4 cup level.
2. Fill the brew basket with twice the amount of coffee you'd normally use for regular brewed coffee.
3. Brew into the carafe, selecting OVER ICE.
4. Once the brewing cycle is complete, transfer the coffee to a heatproof pitcher and let cool to room temperature. Refrigerate until cold, at least 2 hours or overnight. Fill glasses with ice cubes. Pour the coffee into the glasses, filling them to within 4cm of the rim. Top each glass with cream, milk, syrups or sweeteners as desired.

• **COLD BREW:**

Due to the long duration (typically 4-14 hours) of the brewing process we recommend setting the machine up overnight.

1. Fill the tank with your desired volume of water ensuring this is below the COLD BREW line.
2. Remove the basket, and ensure both the cone insert and mesh basket filter are removed. Add a large paper filter and then coffee at 2-3 times of regular ratio (approximately 12 scoops for 4 cups). Reinsert the basket into the machine.
3. Remove the lid from the carafe and re-insert.
4. Navigate to the COLD BREW setting and press START / CANCEL.



NOTE

OVER ICE mode and COLD BREW mode will be disabled if there is more than 4 cups of water in the tank.

SINGLE CUP / SMALLER VOLUMES (LESS THAN 4 CUPS)

1. Your Sage® Precision Brewer will recognise when the brewer has less than 4 cups of water and will adjust the brew settings, automatically. Fill your cup with fresh cold water and then pour it into the water tank, ensuring the water level stays below the SINGLE CUP line.

NOTE

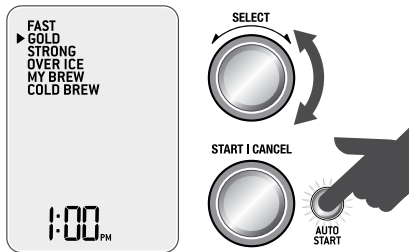
DO NOT fill the water tank more than SINGLE CUP line or the volume of the cup used to receive the coffee. It will overflow as the machine brews until the water tank becomes empty.

2. Place your empty cup underneath the brew basket outlet.
3. We recommend using cone filter basket insert for single cups.
4. To change the basket type, rotate the SELECT dial to Settings and press to enter the Settings mode and select "Basket Type".
5. Rotate the dial to select "Cone", and press dial to select. "Cone" will be displayed on the LCD.
6. Insert the Cone filter basket into the brew basket. Use the alignment marks as a guide.
7. Place a cone shaped paper filter into the cone filter basket.
8. Grind the correct amount of whole bean coffee for the amount you are brewing.
9. Select desired brewing mode.
10. Press START / CANCEL to begin brewing.

AUTO START

Allows you to automatically start brewing at preset time.

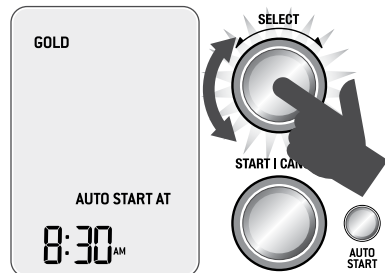
1. Set filter basket type for the amount of coffee you're brewing.
2. Select your brewing mode.
3. Fill the water tank with enough fresh cold water for the amount of coffee you're brewing.
4. Insert the brew basket with your desired insert or paper filter and add coffee.
5. Insert the appropriate cup or the carafe with the lid locked in place into the machine.
6. Press the AUTO START button.



7. The machine will prompt you to set the time for Auto Start. Rotate the SELECT dial to adjust Auto Start time press SELECT dial to set. Auto Start is now set and the machine will enter Auto Start mode, brewing automatically at the set Auto Start time.

NOTE

If the clock hasn't been set, the machine will prompt you to set the clock. Ensure the clock is correct. The clock will reset every time the unit is unplugged.



8. Pressing START / CANCEL will cancel Auto Start.

SETTINGS

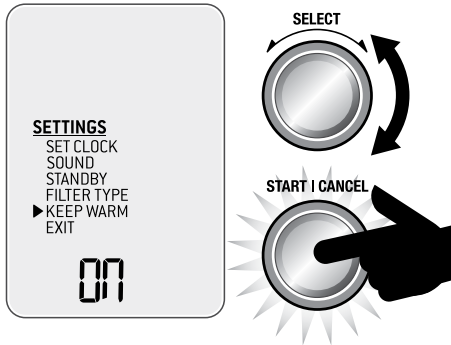
- **SET CLOCK:** Set the time displayed on LCD.
- **SOUND:** Sound volume is adjustable and also can be turned off.
- **STANDBY:** Adjust time to automatically enter STANDBY mode after a period of no use.
- **FILTER TYPE:** Factory setting is Flat basket, adjustable when using the Cone filter basket insert.

CHILD-LOCK

To prevent children from possible danger, child-lock feature is available. Hold AUTO START and START button together for 3 seconds. LCD will display "CL" when it is locked. Repeat this again or unplug the unit to unlock.

KEEP WARM

*Applicable to the Sage® Precision Brewer™ Glass (SDC400) only.



Keep warm will engage on default for brew volumes of above 4 cups.

- Keep warm can be switched off by going into the settings menu>keep warm>on / off.
- Keep warm will not engage on cold brew mode or pour over mode.



CAUTION

The bottom of the carafe is hot to touch for several minutes after brewing. Use caution and ensure not to set the carafe on a heat sensitive surface.



CAUTION

Do not put thermal carafe when Keep Warm is on because it will destroy the insulation on the thermal carafe.



WARNING

Do not place pour over kit / box on heater plate when hot.



Care & Cleaning

Always turn the coffee machine off and remove the plug from the power outlet before cleaning.

CLEANING THE OUTER HOUSING

The outer housing and LCD screen can be cleaned with a soft, damp cloth. Apply cleaner to the cloth and not the LCD surface. Polish with a soft, dry cloth. Cleaning and drying with dry paper towels or abrasive cloths and cleaners may scratch the surface.

CLEANING THE COFFEE BASKET AND MESH BASKET FILTER

Remove the coffee basket. Discard any ground coffee and filter paper. The coffee basket and mesh basket filter can be rinsed under running water. Ensure the fine holes of the mesh basket filter are clear. For a deeper clean, wash the coffee basket and mesh basket filter in warm, soapy water with a soft bristled brush.



CAUTION

The coffee basket, mesh basket or paper filter may still be very hot after brewing. Use caution and allow to cool before removing.

CLEANING THE CARAFE

After each use, empty the carafe. Do not let brewed coffee stand overnight as this can cause the carafe to stain. Rinse the carafe and carafe lid under warm running water. For a deeper clean, we recommend regularly washing the carafe in warm, soapy water using a soft bristled brush. Do not use abrasive cleansers, pads or cloths which can scratch the surface. Rinse and dry thoroughly.

CLEANING THE SHOWERHEAD

Simply wipe down the showerhead area periodically. However, if a more thorough clean is required, the Showerhead can be removed by unlocking the Showerhead Ring. Rotate clockwise then remove the Showerhead for cleaning. Once complete, reinstall the Showerhead.

DESCALING

After regular use, hard water can cause mineral build up in internal components, reducing the brewing flow, brewing temperature, power of the machine, and taste of the coffee.

We recommend to descale regularly. When LCD shows "DESCALE" (flashing), descaling cycle is needed.



NOTE

It takes approximately 15 minutes to complete descaling cycle.

1. Empty the tank. Prepare a descale solution in accordance with manufacturer's instructions. Pour this solution into the empty water tank.
2. Place the basket and the carafe into position under the drip stop outlet (Ensure the carafe is empty and the lid is securely locked).
3. Press SELECT button for 3 seconds to start descaling cycle. LCD will show "dSL" for 1 second and then tell remaining time of descaling cycle.
4. When the descaling process is finished, the LCD screen will go back to the main menu. To completely remove residual water in the tank, invert the machine and brew with fresh water twice. Discard the water from the carafe and rinse thoroughly.



NOTE

We recommend to brew through again after descaling to brew out the residue descale solution.



NOTE

You cannot stop the descaling process mid cycle. Force stop by unplugging the cord from the power outlet.

FACTORY RESET

This is to reset the machine to the factory settings, including water hardness setting. Hold the START button, the SELECT button, and AUTO START button altogether for 3 seconds. When LCD shows “rES” (flashing), press SELECT button to start. Then next prompt asks “YES” or “no” to confirm. Rotate and press SELECT dial / button.



Troubleshooting

Coffee too strong or weak	<ul style="list-style-type: none">• Amount of coffee and water is not correct (1 spoon : 150ml cup).	<ul style="list-style-type: none">• Check correct amount of coffee or water is used.
Coffee leaking from basket when removed	<ul style="list-style-type: none">• The basket drip-stop seal doesn't cover the gap properly due to foreign material.	<ul style="list-style-type: none">• Check that there is no obstruction in the basket drip-stop seal. Wash out the basket seal by turning the basket upside down, and pressing down and rinsing into the seal to clear any particles obstructing that area.
Coffee overflowing from the basket (CAUTION: If the basket has overflowed remove slowly and with caution)	<ul style="list-style-type: none">• Carafe is not inserted.• Amount of coffee and water is not correct (1 spoon : 150ml cup).• Grind size is too fine.• Too much grinds in the basket.• No paper in the basket.• Putting paper into mesh basket filter.	<ul style="list-style-type: none">• If you are brewing with carafe, check that the carafe is inserted.• Check that the correct amount of coffee and water is used for the operation.• Correct grind size / amount.• Use mesh basket filter without paper and other baskets with paper.
'FILL TANK' on LCD screen	<ul style="list-style-type: none">• Water tank is empty or not enough water to brew the selected volume.• Sensors may be dirty.	<ul style="list-style-type: none">• Open the lid and pour the desired amount of cold, preferably filtered water.• While the tank is empty wipe the sensor prisms in the tank with a cloth.
Auto Start does not function	<ul style="list-style-type: none">• Auto Start does not repeat after it has been activated.	<ul style="list-style-type: none">• Re-engage the Auto Start mode for each time that it needs to be used.
Shows 'CLOCK' when Auto Start is pressed	<ul style="list-style-type: none">• Current time should be set before setting Auto Start.	<ul style="list-style-type: none">• Set the current time before using Auto Start.
Clock does not remember time	<ul style="list-style-type: none">• Clock is cleared every time the unit is unplugged.	<ul style="list-style-type: none">• Keep the unit plugged.
Auto Start starts at the wrong time	<ul style="list-style-type: none">• Current time is not correct.	<ul style="list-style-type: none">• Check that the current time is correct.
Carafe overfilling	<ul style="list-style-type: none">• Carafe is not completely empty before brewing.• Amount of water is too much.	<ul style="list-style-type: none">• Check that the carafe is empty before brewing.• Check that the MAX line on the water tank is not exceeded.• Ensure water runs freely through carafe lid.

PROBLEM	POSSIBLE CAUSE	WHAT TO DO
LCD shows 'FILL TANK' when there is water in the tank	<ul style="list-style-type: none"> • Check that the unit is not in direct sunlight or direct bright lighting. 	<ul style="list-style-type: none"> • Move unit away from the light source.
Brew doesn't start	<ul style="list-style-type: none"> • There is no water in the water tank. • Each brewing mode has different water amount limits, and it does not brew when the amount is beyond the limit. 	<ul style="list-style-type: none"> • Check that the water tank is filled. • Check the water amount limits for each mode.
Showerhead falls out	<ul style="list-style-type: none"> • The showerhead may loosen and fall out from time to time if not inserted or tightened correctly. 	<ul style="list-style-type: none"> • Please wash the showerhead ring and seal and re-insert.
The mesh filter in the water tank loosens and floats	<ul style="list-style-type: none"> • Mesh filter is not inserted or tightened correctly. 	<ul style="list-style-type: none"> • Call Sage® Consumer Support.
Carafe drip stop stays down	<ul style="list-style-type: none"> • The drip stop is stuck. 	<ul style="list-style-type: none"> • Pull the drip stop back up. • Clean the drip stop for any foreign objects of coffee grinds or stains. • If the problem persists and drip stop does not return to top position please call Sage® Consumer Support.
Unit produces excessive steam while brewing or runs for extended periods with only steam output	<ul style="list-style-type: none"> • Brewing performance is affected by scale accumulated by hard water. • Brewing temperature profile is not properly set. 	<ul style="list-style-type: none"> • Descale the unit. • Call Sage® Consumer Support if problem persists.
'DESCALE' on LCD screen (flashing)	<ul style="list-style-type: none"> • Brewing performance is affected by scale accumulated by hard water. 	<ul style="list-style-type: none"> • Descale the unit.
Unit shows "too hot"	<ul style="list-style-type: none"> • Unit has been run too many times back to back and the components are overheated. 	<ul style="list-style-type: none"> • Let unit rest for at least 20mins before starting another cycle.

DE

AT

Sage Appliances GmbH
Johannstraße 37, 40476 Düsseldorf, Deutschland

Für den Kundendienst besuchen
Sie bitte www.sageappliances.com

UK

IE

BRG Appliances Limited
Unit 3.2, Power Road Studios, 114 Power Road, London, W4 5PY

Freephone (UK Landline): 0808 178 1650
Mobile Calls (National Rate): 0333 0142 970

Sage[®]

www.sageappliances.com

Registered in Germany No. HRB 81309 (AG Düsseldorf).
Registered in England & Wales No. 8223512.

Aufgrund kontinuierlicher Produktverbesserungen kann das auf dieser Verpackung dargestellte Produkt leicht vom tatsächlichen Produkt abweichen.
Due to continued product improvement, the products illustrated or photographed in this document may vary slightly from the actual product.

Copyright BRG Appliances 2017.

SDC400 / SDC450 C18